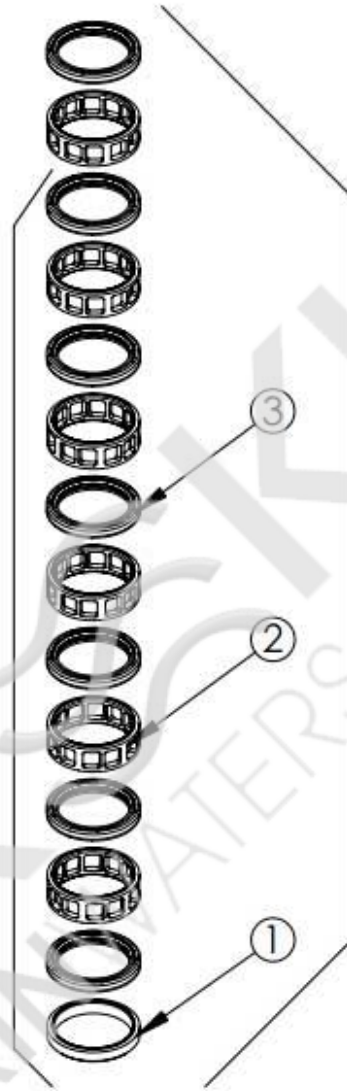


S/E 24271 (not in use)  
2510/2750/2900



S/E 28415  
2910

SPARE PARTS FOR 2750/2900 : NEED ONLY 6 SEALS 10545 AND 5 SPACERS 11451  
FOR 2910 : NEED 7 SEALS 10545 AND 6 SPACERS 11451

ITEM	QTY	PART NO.	DESCRIPTION	NOM
1	1	10757	SPACER,END	Ecartement, Fin
2	6	11451	SPACER,12 HOLE	ENTRETOISE
3	7	BR10545	SEAL,PISTON	JOINT, PISTON



SEALS & SPACERS KIT, 2510/2750/2900/2910, UPPER

**28415**  
CHAP. 21